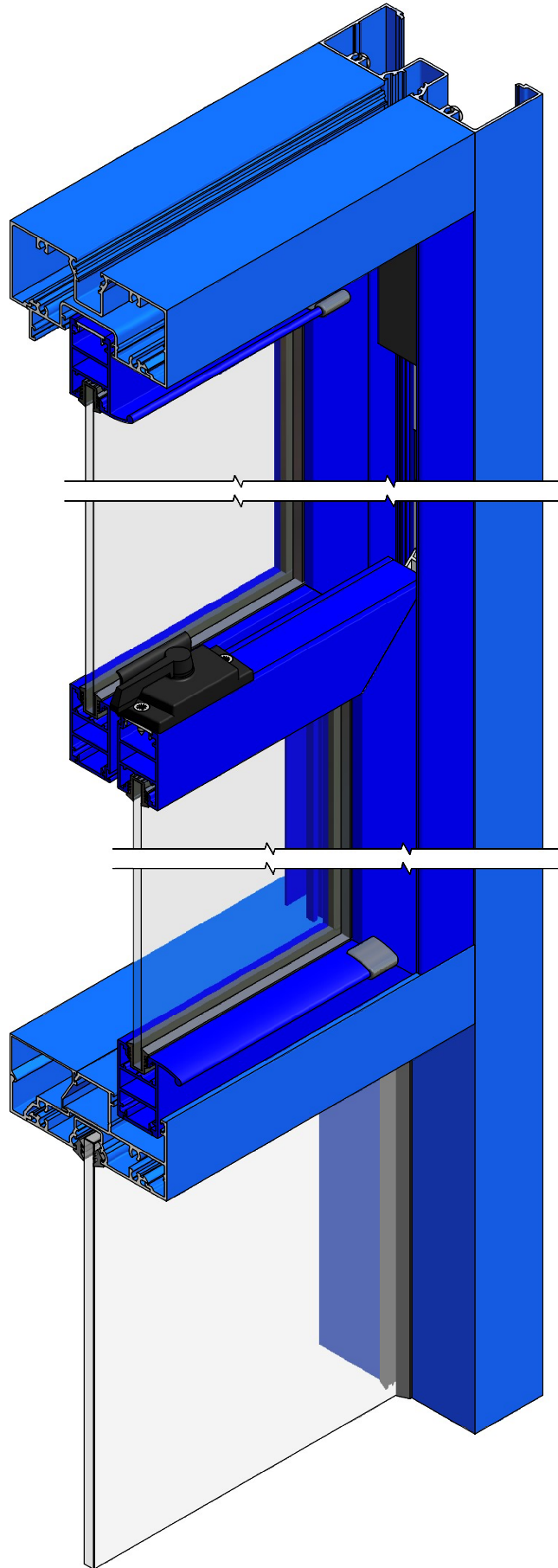


400 Genesis Double Hung Window

Feature Gallery



400 Genesis Double Hung Window

Glossary

75mm Rubber Stop	<i>Extruded rubber, placed at lower corners of external track to position it correctly when the top sash is opened.</i>
Aluminium Corner Spigot	<i>Aluminium body with steel sprung locating pin used to join a mitred sash. Tightened using an allen key.</i>
Balance Cam Locator	<i>Injection moulded plastic component fitted in corners at top of both sashes. This allows location point for sash balance when window is in operation.</i>
Corner Cleat	<i>Injection molded plastic component used in the assembly of a mitred sash to prevent twisting of the corner joint.</i>
Rubber Grommet	<i>Rubber component that is placed on the sash rails, heads and sills as a means of stopping the different parts from crashing into one another.</i>
Sash Balances	<i>Galvanised steel body supports pulley and spring mechanism to control the smooth operation of sash opening and closing.</i>
Sash Lift End Cap	<i>Injection moulded plastic component to open and close the window. They are fitted to the ends of the sash rails and cover over the raw cut ends of the extrusion.</i>
Scroll Mill	<i>Injection moulded plastic component used as a decorative feature of the upper sash for a classic federation look.</i>
Take Off Clip	<i>Stainless steel clip, which clips into plastic take off clip bracket. This allows sash to be locked into place when installed or to be removed and replaced for cleaning.</i>
Take Off Clip Bracket	<i>Injection moulded plastic component used to house stainless take off clip.</i>
Terminal Clip Bracket	<i>Injection moulded plastic component used to fix the sash balance to jamb.</i>